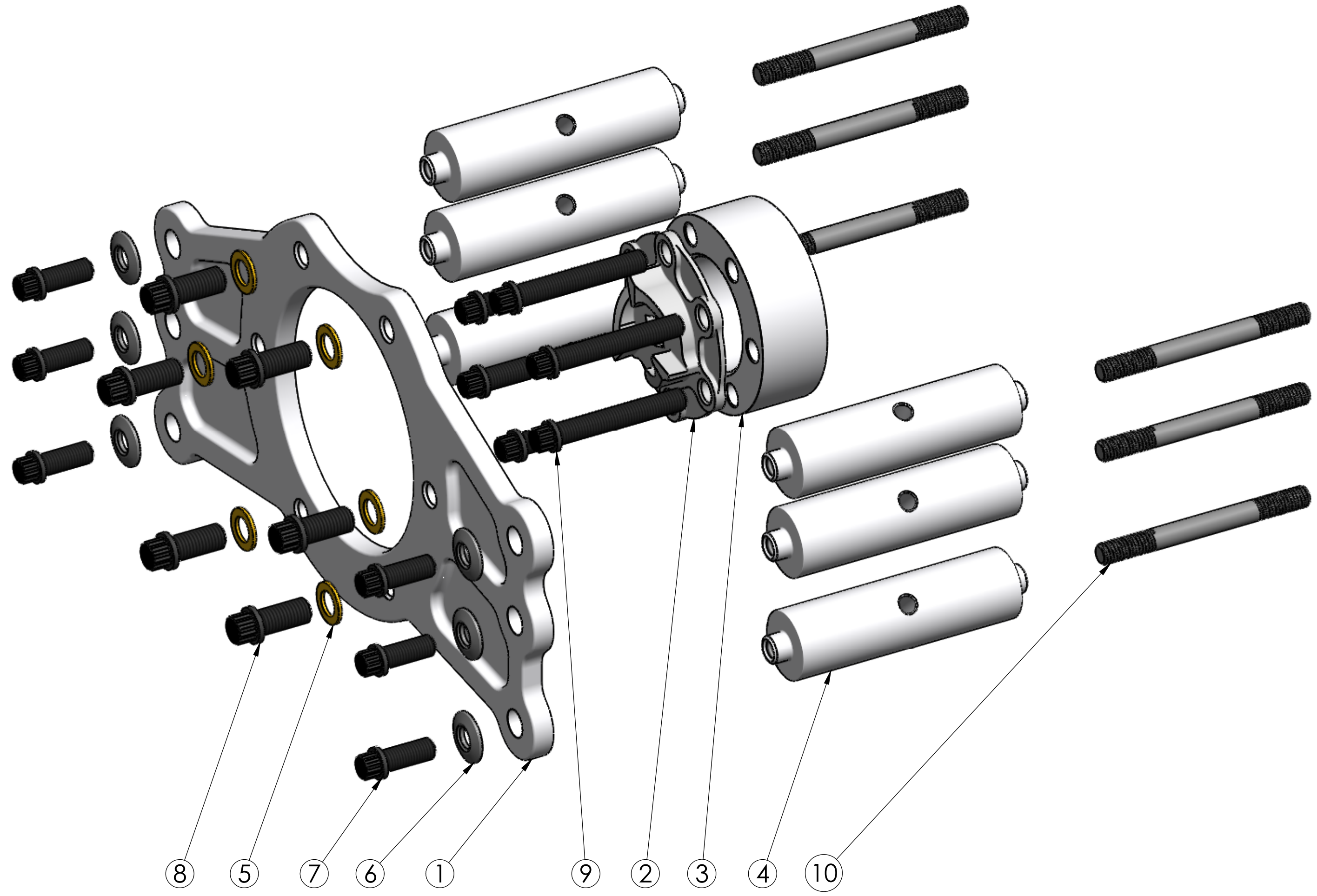
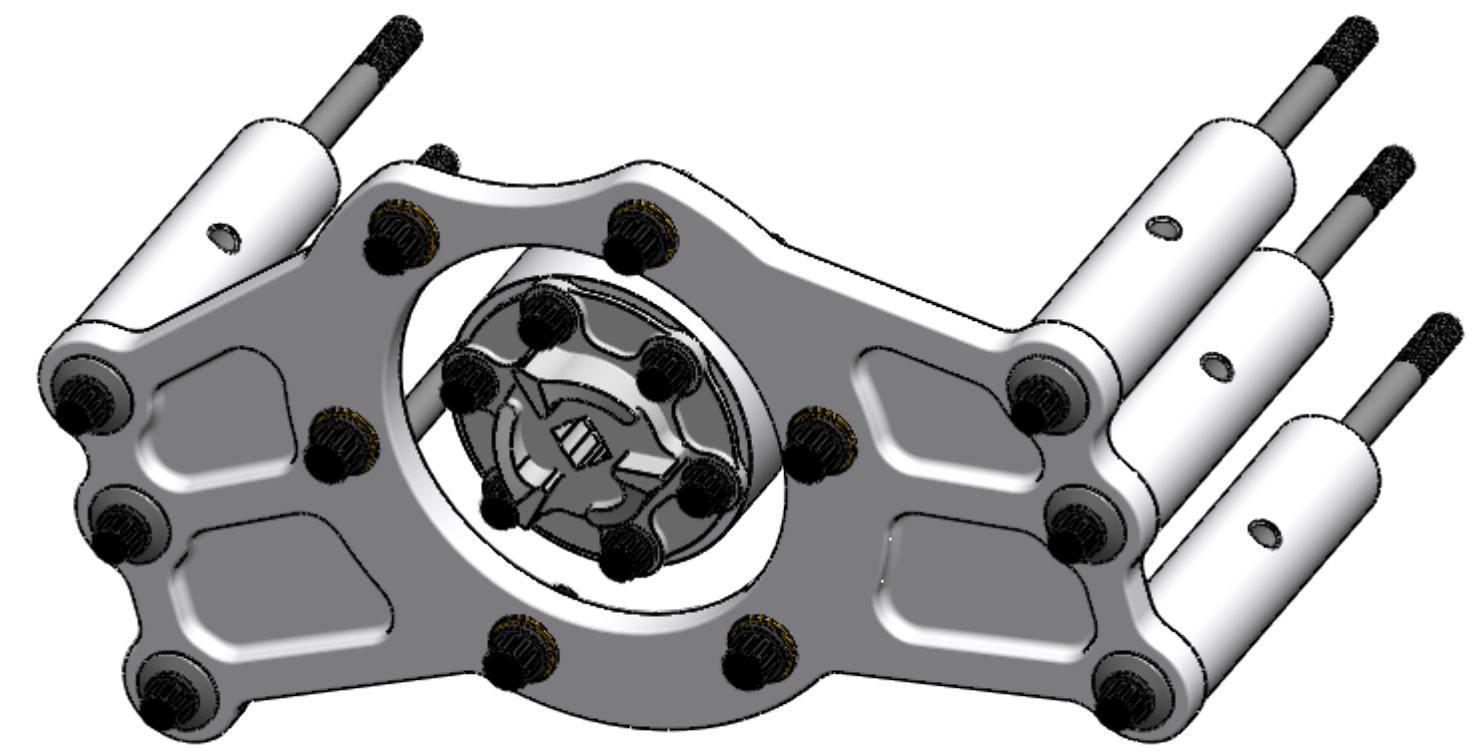


| ITEM | PART NO.  | DESCRIPTION  | QTY. |
|------|-----------|--|------|
| 1    | 101002-22 | STARTER PLATE CRANK MOUNT FIXED 7 INCH ARTAS 8.3-3 | 1    |
| 2    | 101303-09 | ENGINE JAW 6 HOLE                                  | 1    |
| 3    | 101303-75 | ENGINE JAW SPACER 1.25                             | 1    |
| 4    | 202035-22 | STAND CRANK SUPPORT 4.25 FONTANA MINOR             | 6    |
| 5    | 352503-07 | 7/16 AN WASHER                                     | 6    |
| 6    | 352505-50 | WASHER HT .38 ID .125 THICK .90 DIA                | 6    |
| 7    | 356337-16 | 3/8-16 X 1.0 12PT                                  | 6    |
| 8    | 356343-16 | 7/16-14 X 1.00 12PT                                | 6    |
| 9    | 356237-40 | 3/8-24 X 2.50 12PT                                 | 6    |
| 10   | 353016-64 | 0.375 X 4.0 STUD 1.0 FINE 1.0 COARSE               | 6    |



**RCD**  
ENGINEERING INCORPORATED  
TEL: 530-292-3133 - FAX: 530-292-3738  
FIXED CRANK STARTER DRIVE 7IN FONTANA